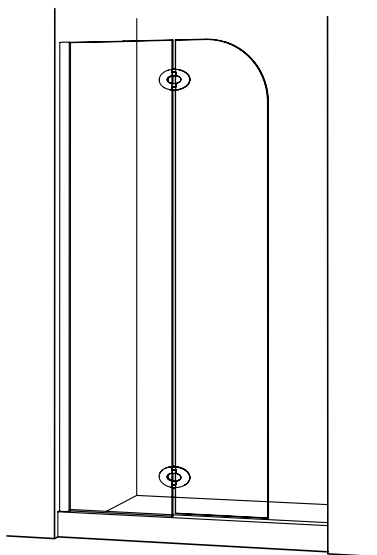
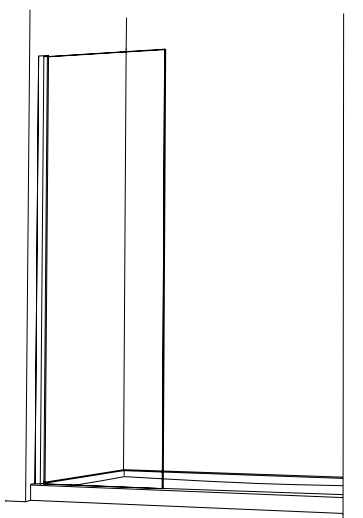


## WALK-IN SHOWER SHIELDS

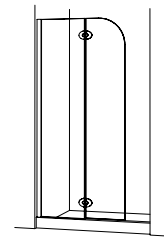


## WALK-IN SHOWER PANELS



FLEURCO INC. **USA EAST** Tel: 856.778.0110 | Toll Free: 1.888.568.2121 | Fax: 1.888.854.1020  
FLEURCO INC. **USA MIDWEST** Tel: 630.607.0847 | Toll Free: 1.888.263.3651 | Fax: 331.225.2549  
FLEURCO INC. **USA WEST** Tel: 562.368.8800 | Toll Free: 1.877.413.2880 | Fax: 562.368.8812

# WALK-IN SHOWER SHIELDS



## CODE SYSTEM AND PRODUCT OPTIONS..... 4-5

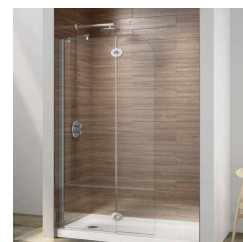
### \*MONACO SQUARE TOP.....6-7

Pivot shower shield with fixed panel  
 Sizes: 24" or 33" fixed panel with 15" moveable panel  
 SELECT 24" or 33" fixed panel with 15" moveable panel



### \*MONACO ROUND TOP..... 8-9

Pivot shower shield with fixed panel  
 Sizes: 24" or 33" fixed panel with 15" moveable panel  
 SELECT 24" or 33" fixed panel with 15" moveable panel



### \*MONACO "V".....10-11

Pivot shower shield with fixed panel and return panel  
 Sizes: 23", 24", 31" or 33" fixed panel with 15" moveable panel



### \*SIENA..... 12-13

Pivot shower shield with fixed panel  
 Sizes: 25" fixed panel with 15" moveable panel



M Glass surface protection



See website for more information

Available finishes

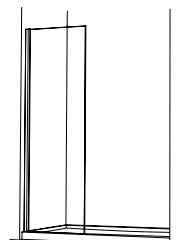
- Chrome
- Brushed Nickel
- Matte Black

Glass type

C Clear

\*Without FleurcoSEKUR+ Safety Protection (S.R.T.)

# WALK-IN SHOWER PANELS



NEW!

### VESPERO.....14-15

Fixed shower panel  
 Sizes: 33, 39, 45



NEW!  
BRUSHED GOLD  
FINISH



### \*STATION PLUS.....24-25

Fixed shower panel  
 Sizes: 29, 33, 39, 45



### VECTRA.....16-17

Fixed shower panel  
 Sizes: 29, 33, 39, 45



NEW!  
BRUSHED GOLD  
FINISH



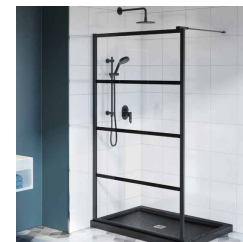
### \*STATION.....26-27

Fixed shower panel  
 Sizes: 30, 34



### LATITUDE.....18-21

Fixed shower panel  
 Sizes: 28, 32, 38, 44



### \*SIENA SOLO.....28-29

Pivot shower panel  
 Size: 34



### \*PETRA.....22-23

Shower panel  
 Sizes: 32, 38, 40, 45



M Glass surface protection



See website for more information

SEKUR+ Safety protection (S.R.T.)



See information page at the end of the section

Available finishes

- Chrome
- Brushed Nickel
- Matte Black
- Brushed Gold

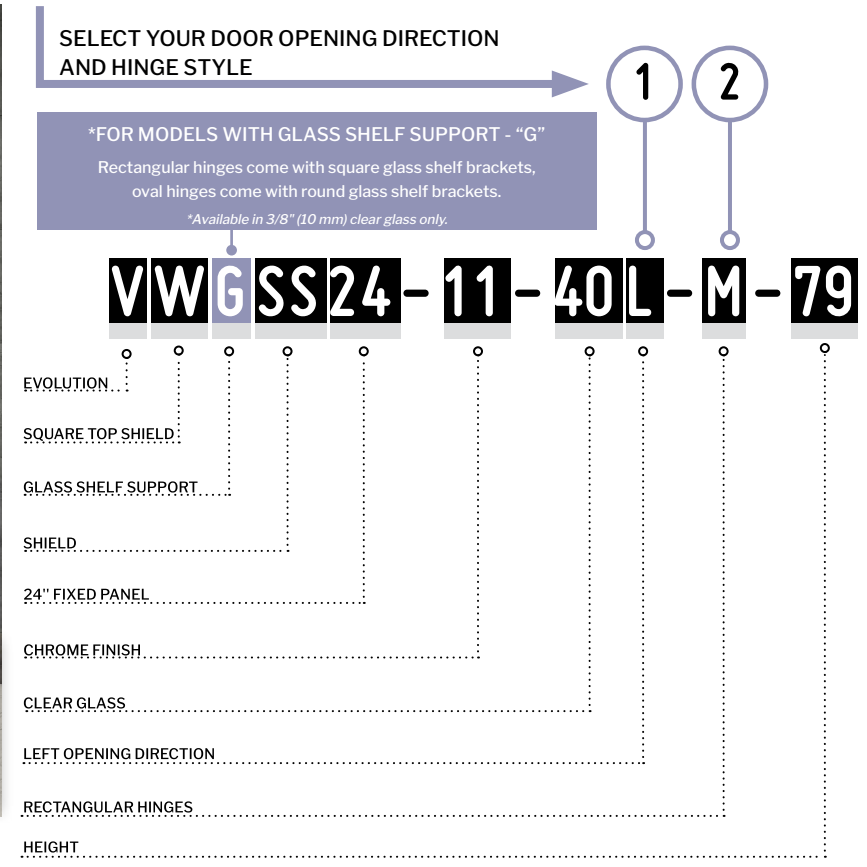
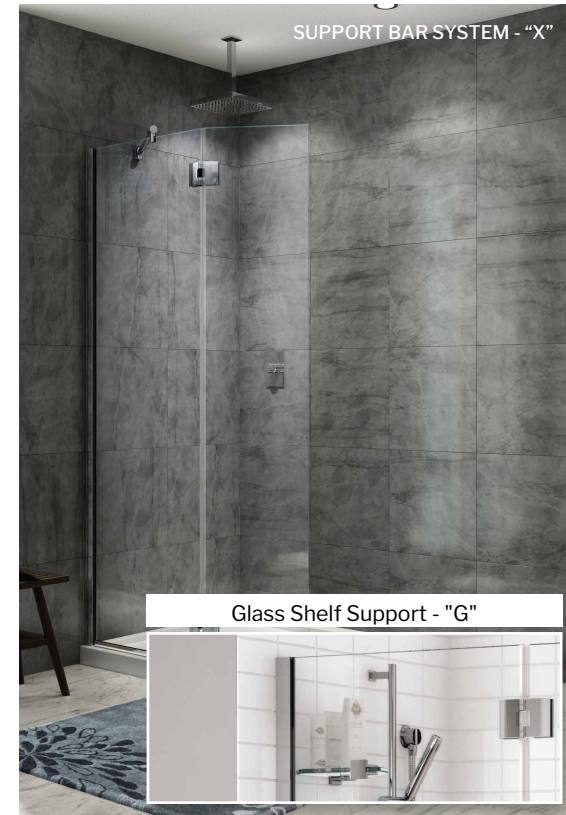
Glass type

C Clear  
 SG Smoked Grey

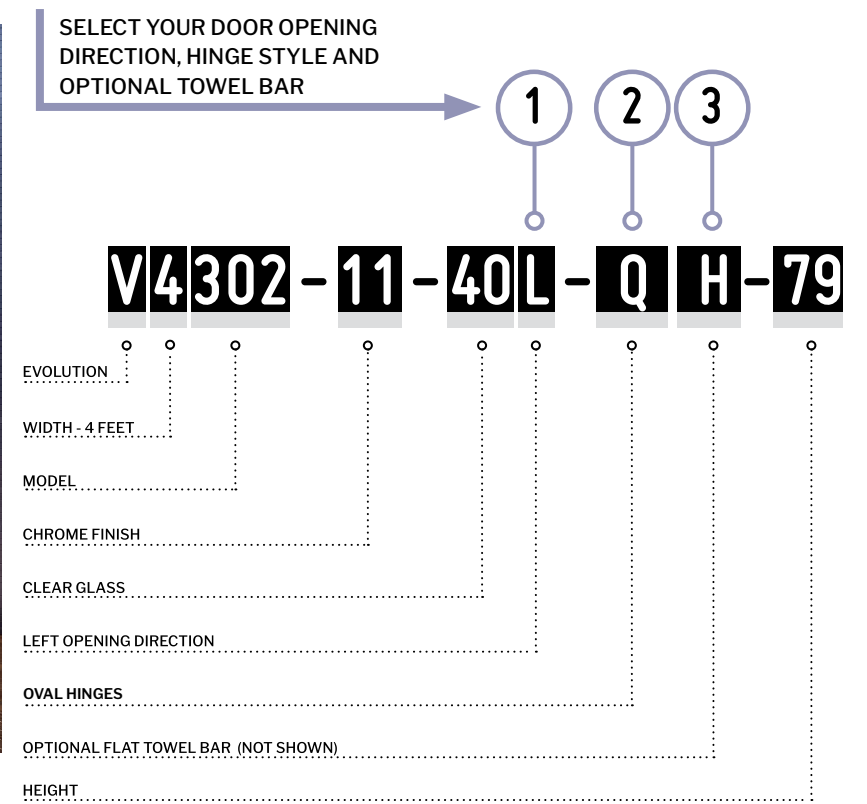
\*Without FleurcoSEKUR+ Safety Protection (S.R.T.)

EXAMPLE OF CODE SYSTEM

MONACO SERIES



MONACO "V" SERIES

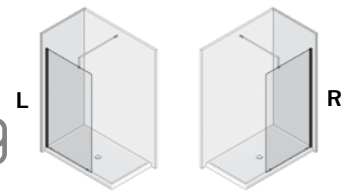


PRODUCT OPTIONS

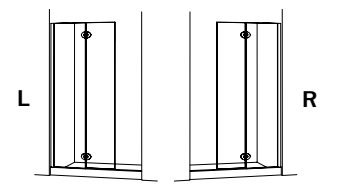
1 IDENTIFY OPENING DIRECTION THIS IS MANDATORY

VWXSS24-11-40L-M-79

FOR MODELS WITHOUT HINGES



FOR MODELS WITH HINGES



L (LEFT) or R (RIGHT) indicates the fixed panel location as viewed from the exterior.

L (LEFT) or R (RIGHT) indicates where the hinges are installed on the shield panel as viewed from the exterior.

OPENING DIRECTION

2 SELECT SOLID BRASS HINGE STYLE THIS IS MANDATORY

V4302-11-40L-MH-79

HINGE STYLE

M Rectangular

Q Oval



3 SELECT UV BONDED TOWEL BAR [SURCHARGE APPLIES]

AVAILABLE FOR CERTAIN MODELS ONLY. INSTALLATION POSITION VARIES FOR EACH MODEL. SEE INDIVIDUAL MODEL PAGES FOR POSITION.



V4302-25-40L-MH-79

OPTIONAL FLAT TOWEL BAR



V4302-11-40L-QY-79

OPTIONAL ROUND TOWEL BAR

Available in two finishes:  
Chrome - Surcharge \$406  
Brushed Nickel - Surcharge \$369

# MONACO Square Top

Shower shield with fixed panel without FleurcoSEKUR+ Safety Protection (S.R.T.)

**3/8" (10 mm) Tempered clear glass • 79" Height (80 1/2" to top of "X" support bar, 86 3/16" to top of "V" support bar)**

## SELECT MONACO SQUARE "X" SUPPORT BAR SYSTEM WITH RECTANGULAR (M) HINGES

79" H (80 1/2" to top of support bar)

MODEL	FINISH	PRICE
39 7/16" to 40 1/16" W		
VMSXS24-11-40-79	Chrome	\$1,300
VMSXS24-25-40-79	Brushed Nickel	\$1,332
VMSXS24-33-40-79	Matte Black	\$1,352
48 7/16" to 49 1/16" W		
VMSXS33-11-40-79	Chrome	\$1,427
VMSXS33-33-40-79	Matte Black	\$1,473

These units are universal, left and right.

For suggested shower bases, visit [www.fleurco.com](http://www.fleurco.com)

## MONACO SQUARE "X" SUPPORT BAR SYSTEM

79" H (80 1/2" to top of support bar)

MODEL	FINISH	PRICE
VWXSS24-11-40-@-@-79	Chrome	\$2,363
VWXSS24-25-40-_-_-79	Brushed Nickel	\$2,576

For suggested shower bases, visit [www.fleurco.com](http://www.fleurco.com)

## MONACO SQUARE "G" GLASS SHELF SUPPORT\*

79" H

MODEL	FINISH	PRICE
VWGSS24-11-40-@-@-79	Chrome	\$2,363
VWGSS24-25-40-_-_-79	Brushed Nickel	\$2,576

\*Glass Shelves are available in 3/8" (10 mm) Clear Glass only.

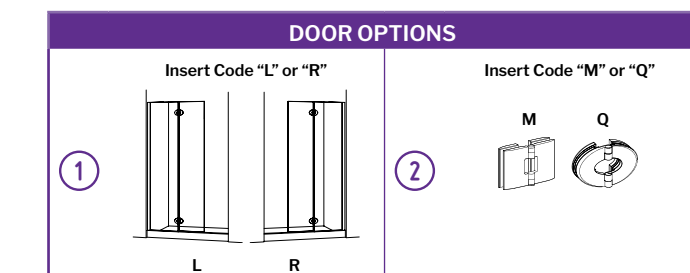
For suggested shower bases, visit [www.fleurco.com](http://www.fleurco.com)

## MONACO SQUARE "V" SUPPORT BAR SYSTEM

79" H (86 3/16" to top of support bar)

MODEL	FINISH	PRICE
VW4301-11-40-@-@-79	Chrome	\$2,165
VW4301-25-40-_-_-79	Brushed Nickel	\$2,369
VW56301-11-40-@-@-79	Chrome	\$2,226
VW56301-25-40-_-_-79	Brushed Nickel	\$2,410

For suggested shower bases, visit [www.fleurco.com](http://www.fleurco.com)



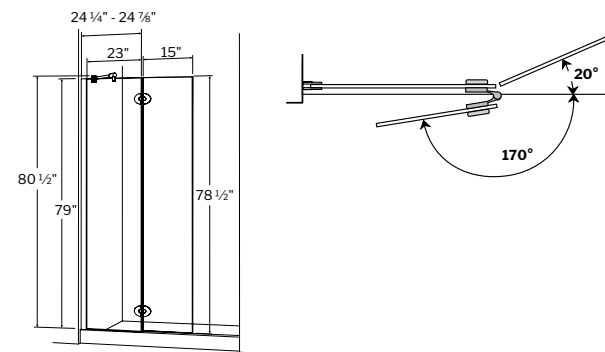
## SELECT



NO OPTIONS

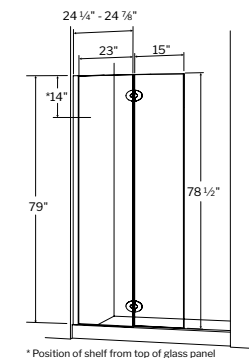
## VWXSS24

Support Bar System



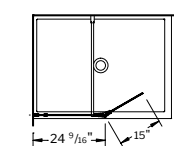
## VWGSS24

Glass Shelf Support

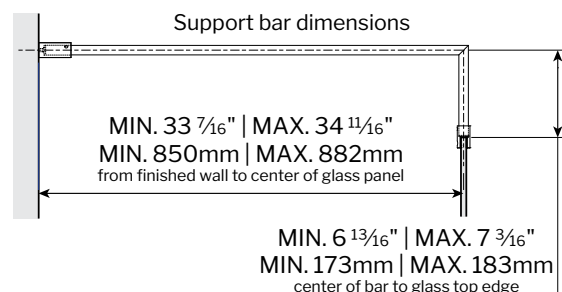
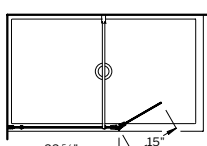


\* Position of shelf from top of glass panel

## VW4301



## VW56301



# MONACO Square Top

Walk-in shower shield with fixed panel

10  
year limited  
warranty

European style walk-in shower shield

Available with support bar or glass shelf (excluding **SELECT**) support

2 glass-to-glass hinge choices (excluding **SELECT**)

3/8" (10mm) clear tempered glass

Shower shield height: 79" (80 1/2" to top of the "X" support bar and 86 3/16" to top of the "V" support bar)

Chrome, Brushed Nickel & Matte Black (**SELECT** model only) finishes

Custom sizes available



# MONACO Round Top

Shower shield with fixed panel without FleurcoSEKUR+ Safety Protection (S.R.T.)

**3/8" (10 mm) Tempered clear glass • 79" Height (80 1/2" to top of "X" support bar, 86 3/16" to top of "V" support bar)**

## SELECT MONACO ROUND

"X" SUPPORT BAR SYSTEM WITH OVAL (Q) HINGES

79" H (80 1/2" to top of support bar)

MODEL	FINISH	PRICE
39 7/16" to 40 1/16" W		
VQRXS24-11-40-79	Chrome	\$1,300
VQRXS24-25-40-79	Brushed Nickel	\$1,332
VQRXS24-33-40-79	Matte Black	\$1,352
48 7/16" to 49 1/16" W		
VQRXS33-11-40-79	Chrome	\$1,427
VQRXS33-33-40-79	Matte Black	\$1,473

These units are universal, left and right.

For suggested shower bases, visit [www.fleurco.com](http://www.fleurco.com)

## MONACO ROUND "X" SUPPORT BAR SYSTEM

79" H (80 1/2" to top of support bar)

MODEL	FINISH	PRICE
VXSS24-11-40-①-②-79	Chrome	\$2,363
VXSS24-25-40 _ _ -79	Brushed Nickel	\$2,576

For suggested shower bases, visit [www.fleurco.com](http://www.fleurco.com)

## MONACO ROUND "G" GLASS SHELF SUPPORT\*

79" H

MODEL	FINISH	PRICE
VGSS24-11-40-①-②-79	Chrome	\$2,363
VGSS24-25-40 _ _ -79	Brushed Nickel	\$2,576

\*Glass Shelves are available in 3/8" (10 mm) Clear Glass only.

For suggested shower bases, visit [www.fleurco.com](http://www.fleurco.com)

## MONACO ROUND "V" SUPPORT BAR SYSTEM

79" H (86 3/16" to top of support bar)

MODEL	FINISH	PRICE
V4301-11-40-①-②-79	Chrome	\$2,165
V4301-25-40 _ _ -79	Brushed Nickel	\$2,369
V56301-11-40-①-②-79	Chrome	\$2,226
V56301-25-40 _ _ -79	Brushed Nickel	\$2,410

For suggested shower bases, visit [www.fleurco.com](http://www.fleurco.com)



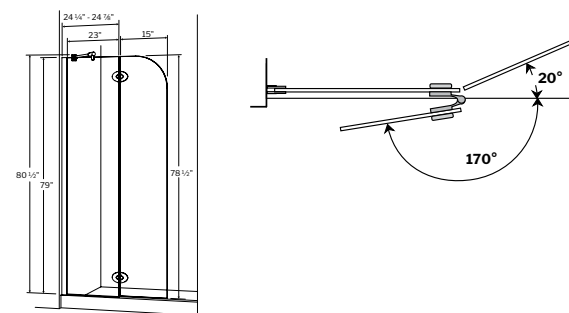
## SELECT



NO OPTIONS

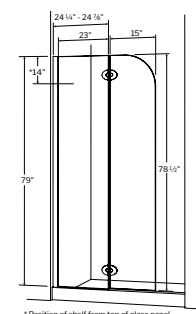
## VXSS24

Support Bar System

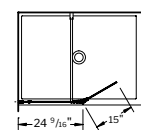


## VGSS24

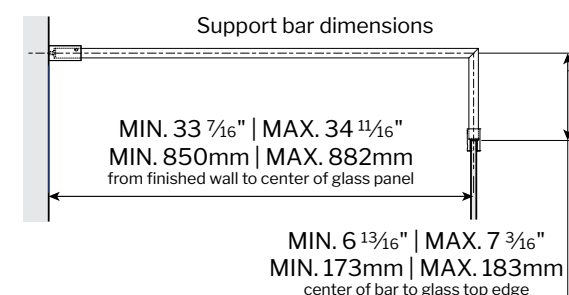
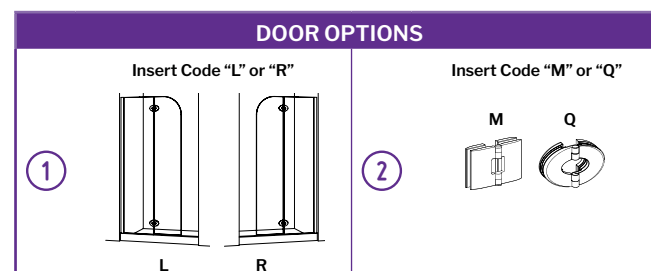
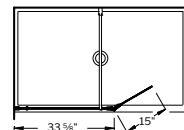
Glass Shelf Support



## V4301



## V56301



# MONACO Round Top

Walk-in shower shield with fixed panel

10  
year limited  
warranty

European style walk-in shower shield

Available with support bar or glass shelf (excluding **SELECT**) support

2 glass-to-glass hinge choices (excluding **SELECT**)

3/8" (10mm) clear tempered glass

Shower shield height: 79" (80 1/2" to top of the "X" support bar and 86 3/16" to top of the "V" support bar)

Chrome, Brushed Nickel & Matte Black (**SELECT** model only) finishes

Custom sizes available



# MONACO "V" Shower shield

Shower shield with fixed panel & return panel without FleurcoSEKUR+ Safety Protection (S.R.T.)

**3/8" (10 mm) Tempered clear glass**  
**79" Height (86 3/16" to top of support bar)**

**2 SIDED**

ROUND MODEL	SQUARE MODEL	DIMENSION	ROUND MODEL	SQUARE MODEL	FINISH	PRICE
			V4302-11-40①-②③-79	VW4302-11-40①-②③-79	Chrome	<b>\$2,916</b>
			V4302-25-40 _ _ _ -79	VW4302-25-40 _ _ _ -79	Brushed Nickel	<b>\$3,119</b>
Shown with optional towel bar						
			V56302-11-40①-②③-79	VW56302-11-40①-②③-79	Chrome	<b>\$3,028</b>
			V56302-25-40 _ _ _ -79	VW56302-25-40 _ _ _ -79	Brushed Nickel	<b>\$3,213</b>
Shown with optional towel bar						
			V4304-11-40①-②③-79	VW4304-11-40①-②③-79	Chrome	<b>\$3,167</b>
			V4304-25-40 _ _ _ -79	VW4304-25-40 _ _ _ -79	Brushed Nickel	<b>\$3,397</b>
			V56304-11-40①-②③-79	VW56304-11-40①-②③-79	Chrome	<b>\$3,321</b>
			V56304-25-40 _ _ _ -79	VW56304-25-40 _ _ _ -79	Brushed Nickel	<b>\$3,566</b>

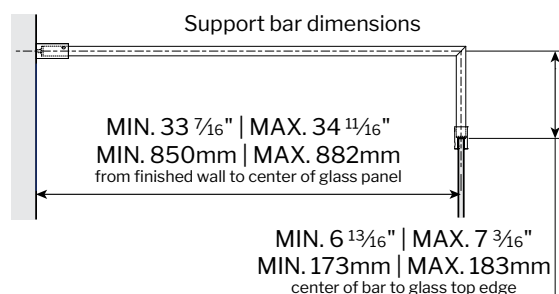
For suggested shower bases, visit [www.fleurco.com](http://www.fleurco.com)

SOME MODELS ARE CUSTOMIZEABLE WITH THE "X" SUPPORT BAR AND A U-CHANNEL.  
CONTACT CUSTOMER SERVICE FOR DETAILS.

ALL DRAINS SOLD SEPARATELY

DRAIN	Material	Price	Finish
	DRAINABS-11 ABS No-Calk 2" drain	\$50	Chrome
	DRAINABS-25 ABS No-Calk 2" drain	\$66	Brushed Nickel
	DRAINABS-33 ABS No-Calk 2" drain	\$94	Matte Black
	DRAINABS-12 ABS No-Calk 2" drain	\$177	Brushed Gold <b>NEW!</b>
	DRAINPVC-11 PVC No-Calk 2" drain	\$50	Chrome
	DRAINPVC-25 PVC No-Calk 2" drain	\$66	Brushed Nickel
	DRAINPVC-33 PVC No-Calk 2" drain	\$72	Matte Black
	DRAINPVC-12 PVC No-Calk 2" drain	\$177	Brushed Gold <b>NEW!</b>

\*Please check local codes to ensure appropriate drain specifications  
For AU (Aurora) bases, please see specialty section in the bases booklet



### DOOR OPTIONS

Insert Code "L" or "R"

L R

Insert Code "M" or "Q"

M Q

Insert Code "H" (flat) or "Y" (round) to select OPTIONAL towel bar

③ Towel bar installs onto a return panel

Available in two finishes:  
Chrome - Surcharge \$406  
Brushed Nickel - Surcharge \$369



## MONACO "V" Shower Shield

Walk-in shower shield with fixed panel & return panel

**10**  
year limited warranty

European style walk-in shower shield

2 glass-to-glass hinge choices

3/8" (10mm) clear tempered glass

Shower shield height: 79" (86 3/16" to top of the support bar)

Chrome & Brushed Nickel finishes

Custom sizes available



# SIENA Shower Shield

Pivot shower shield with fixed panel without FleurcoSEKUR+ Safety Protection (S.R.T.)



1/4" (6 mm) Tempered clear glass • 75" Height (76 1/2" to top of support bar)

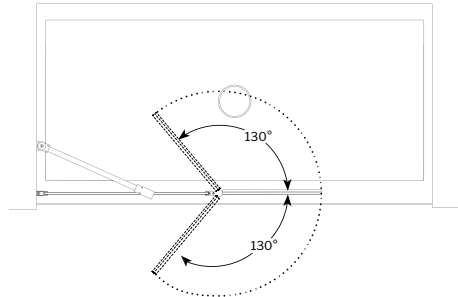
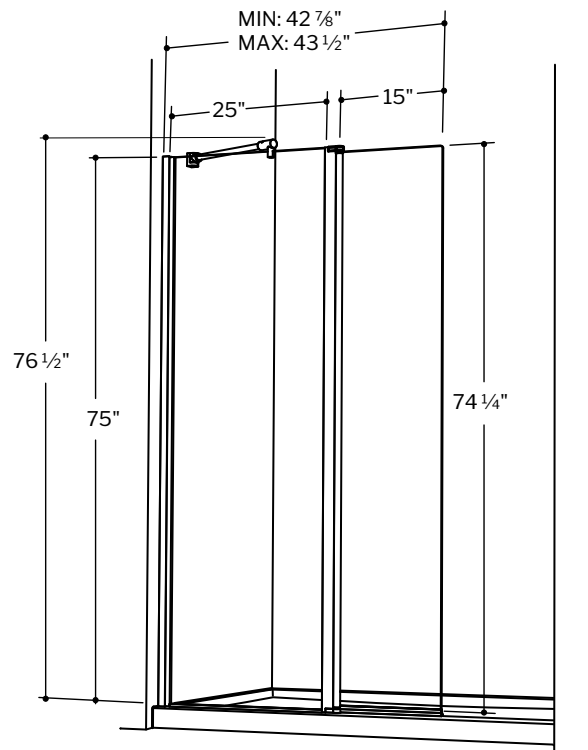
## SHOWER PANEL

Fixed panel 25" W • Moveable panel 15" W  
75" H (76 1/2" to top of support bar)

MODEL	FINISH	PRICE
ESS24-11-40	Chrome	<b>\$1,075</b>
ESS24-25-40	Brushed Nickel	<b>\$1,106</b>
ESS24-33-40	Matte Black	<b>\$1,138</b>

Fits any base 48" and larger.

For suggested shower bases, visit [www.fleurco.com](http://www.fleurco.com)



### ALL DRAINS SOLD SEPARATELY

DRAIN	Material	Price	Finish
DRAINABS-11	ABS No-Calk 2" drain	\$50	Chrome
DRAINABS-25	ABS No-Calk 2" drain	\$66	Brushed Nickel
DRAINABS-33	ABS No-Calk 2" drain	\$94	Matte Black
DRAINABS-12	ABS No-Calk 2" drain	\$177	Brushed Gold <b>NEW!</b>
DRAINPVC-11	PVC No-Calk 2" drain	\$50	Chrome
DRAINPVC-25	PVC No-Calk 2" drain	\$66	Brushed Nickel
DRAINPVC-33	PVC No-Calk 2" drain	\$72	Matte Black
DRAINPVC-12	PVC No-Calk 2" drain	\$177	Brushed Gold <b>NEW!</b>

\*Please check local codes to ensure appropriate drain specifications  
For AU (Aurora) bases, please see specialty section in the bases booklet



For information see Fibo by Fleurco section



## SIENA Walk-in Shower Shield

Pivot shower shield with fixed panel

**10**  
year limited warranty

- European water deflection system
- 130° outward and 130° inward opening
- Reversible left or right side installation
- 1/4" (6mm) clear tempered glass

Shower shield height: 75" (76 1/2" to top of support bar)  
Chrome, Brushed Nickel & Matte Black finishes



# VESPERO Shower Panel

**NEW**

Fixed panel

**1/4" (6 mm) Tempered glass**  
**79" Height (79 1/4" to top of support bar)**  
**86" Height (86 1/4" to top of support bar)**

## SHOWER PANEL 33

32 7/16" to 32 3/4" W

MODEL	FINISH	GLASS	HEIGHT	PRICE
VSP33-33-40-79	Matte Black	Clear	79"	<b>\$759</b>
VSP33-33-30-79	Matte Black	Smoked Grey	79"	<b>\$772</b>
VSP33-12-40-79	Brushed Gold	Clear	79"	<b>\$929</b>
VSP33-12-30-79	Brushed Gold	Smoked Grey	79"	<b>\$944</b>
VSP33-33-40-86	Matte Black	Clear	86"	<b>\$784</b>
VSP33-33-30-86	Matte Black	Smoked Grey	86"	<b>\$796</b>
VSP33-12-40-86	Brushed Gold	Clear	86"	<b>\$953</b>
VSP33-12-30-86	Brushed Gold	Smoked Grey	86"	<b>\$969</b>

For suggested shower bases, visit [www.fleurco.com](http://www.fleurco.com).

## SHOWER PANEL 39

38 7/16" to 38 3/4" W

MODEL	FINISH	GLASS	HEIGHT	PRICE
VSP39-33-40-79	Matte Black	Clear	79"	<b>\$816</b>
VSP39-33-30-79	Matte Black	Smoked Grey	79"	<b>\$828</b>
VSP39-12-40-79	Brushed Gold	Clear	79"	<b>\$993</b>
VSP39-12-30-79	Brushed Gold	Smoked Grey	79"	<b>\$1,009</b>
VSP39-33-40-86	Matte Black	Clear	86"	<b>\$833</b>
VSP39-33-30-86	Matte Black	Smoked Grey	86"	<b>\$846</b>
VSP39-12-40-86	Brushed Gold	Clear	86"	<b>\$1,010</b>
VSP39-12-30-86	Brushed Gold	Smoked Grey	86"	<b>\$1,027</b>

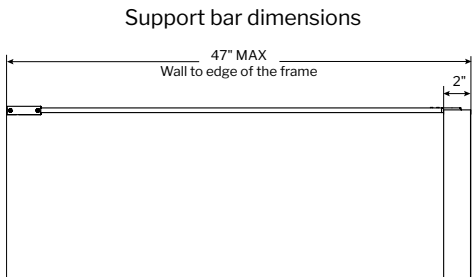
For suggested shower bases, visit [www.fleurco.com](http://www.fleurco.com).

## SHOWER PANEL 45

44 7/16" to 44 3/4" W

MODEL	FINISH	GLASS	HEIGHT	PRICE
VSP45-33-40-79	Matte Black	Clear	79"	<b>\$872</b>
VSP45-33-30-79	Matte Black	Smoked Grey	79"	<b>\$885</b>
VSP45-12-40-79	Brushed Gold	Clear	79"	<b>\$1,058</b>
VSP45-12-30-79	Brushed Gold	Smoked Grey	79"	<b>\$1,074</b>
VSP45-33-40-86	Matte Black	Clear	86"	<b>\$891</b>
VSP45-33-30-86	Matte Black	Smoked Grey	86"	<b>\$903</b>
VSP45-12-40-86	Brushed Gold	Clear	86"	<b>\$1,076</b>
VSP45-12-30-86	Brushed Gold	Smoked Grey	86"	<b>\$1,093</b>

For suggested shower bases, visit [www.fleurco.com](http://www.fleurco.com).



# VESPERO **NEW**

Fixed shower panel

**10**  
year limited warranty



Ultra modern European design  
 Easy installation  
 Hidden anchoring system  
 1/4" (6mm) clear or smoked grey glass  
 Shower panel heights: 79" (79 1/4" to top of support bar) & 86" (86 1/4" to top of support bar)  
 Matte Black & Brushed Gold finishes



For information see Fibo by Fleurco section



# VECTRA Shower Panel

Fixed panel

**3/8" (10 mm) Tempered clear glass**  
**79" Height (80" to top of support bar)**

## SHOWER PANEL 29

29 5/8" W x 79" H (80" to top of support bar)

MODEL	FINISH	PRICE
VTR29-33-40①	Matte Black	<b>\$1,643</b>

For suggested shower bases, visit [www.fleurco.com](http://www.fleurco.com).

## SHOWER PANEL 33

33" W x 79" H (80" to top of support bar)

MODEL	FINISH	PRICE
VTR33-33-40①	Matte Black	<b>\$1,712</b>

For suggested shower bases, visit [www.fleurco.com](http://www.fleurco.com).

## SHOWER PANEL 39

39" W x 79" H (80" to top of support bar)

MODEL	FINISH	PRICE
VTR39-33-40①	Matte Black	<b>\$1,752</b>

For suggested shower bases, visit [www.fleurco.com](http://www.fleurco.com).

## SHOWER PANEL 45

45 5/8" W x 79" H (80" to top of support bar)

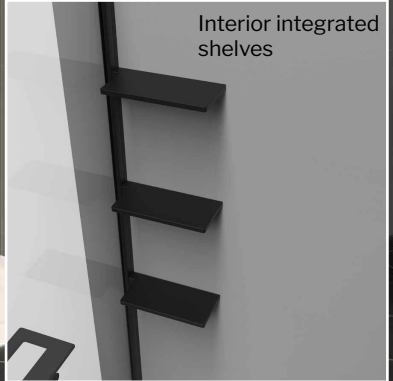
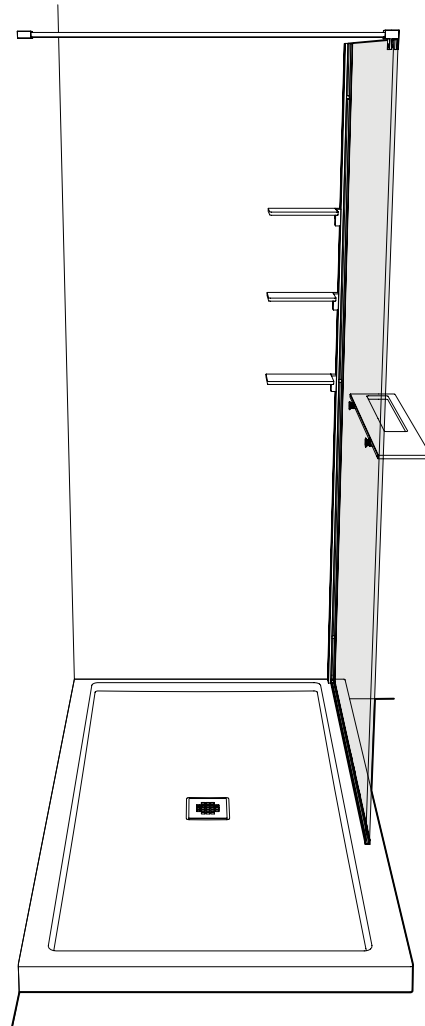
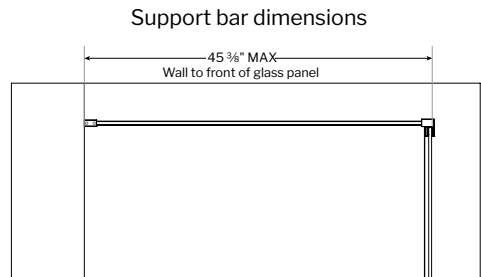
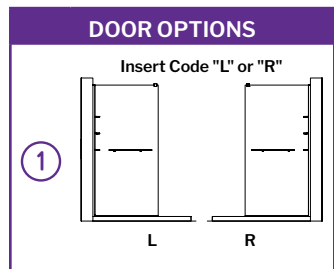
MODEL	FINISH	PRICE
VTR45-33-40①	Matte Black	<b>\$1,835</b>

For suggested shower bases, visit [www.fleurco.com](http://www.fleurco.com).

### ALL DRAINS SOLD SEPARATELY

DRAIN	Material	Price	Finish
DRAINABS-11	ABS No-Calk 2" drain	\$50	Chrome
DRAINABS-25	ABS No-Calk 2" drain	\$66	Brushed Nickel
DRAINABS-33	ABS No-Calk 2" drain	\$94	Matte Black
DRAINABS-12	ABS No-Calk 2" drain	\$177	Brushed Gold <b>NEW!</b>
DRAINPVC-11	PVC No-Calk 2" drain	\$50	Chrome
DRAINPVC-25	PVC No-Calk 2" drain	\$66	Brushed Nickel
DRAINPVC-33	PVC No-Calk 2" drain	\$72	Matte Black
DRAINPVC-12	PVC No-Calk 2" drain	\$177	Brushed Gold <b>NEW!</b>

\*Please check local codes to ensure appropriate drain specifications  
 For AU (Aurora) bases, please see speciality section in the bases booklet



## VECTRA Walk-in Shower Panel

Fixed shower panel with accessories

**10**  
year limited warranty

- 3 metal shelves integrated to the wall jamb
- Towel bar and tray integrated in a single accessory
- 3/8" (10mm) clear tempered glass
- Shower panel height: 79" (80" to top of support bar)
- Matte Black finish



5/16" (8 mm) Tempered clear glass  
79" Height (80" to top of support bar bracket)



### SINGLE THRESHOLD

DIMENSION	MODEL	FINISH	PRICE
	LAV28-33-43-79	Matte Black	\$852
	LAV32-33-43-79	Matte Black	\$904
	LAV38-33-43-79	Matte Black	\$953
	LAV44-33-43-79	Matte Black	\$1,039

For suggested shower bases, visit [www.fleurco.com](http://www.fleurco.com)

5/16" (8 mm) Tempered clear glass  
79" Height (80" to top of support bar bracket)



### 2 SIDED

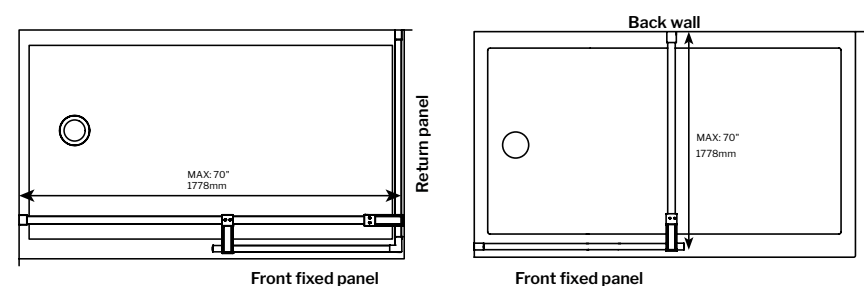
DIMENSION	MODEL	FINISH	PRICE
	LAV3228-33-43-79	Matte Black	\$1,755
	LAV3232-33-43-79	Matte Black	\$1,807
	LAV4432-33-43-79	Matte Black	\$1,942

For suggested shower bases, visit [www.fleurco.com](http://www.fleurco.com)  
More size options available. See website for more information.

### CORNER

DIMENSION	MODEL	FINISH	PRICE
	LAV3832C-33-43-79	Matte Black	\$1,859
	LAV4432C-33-43-79	Matte Black	\$1,942

For suggested shower bases, visit [www.fleurco.com](http://www.fleurco.com)  
More size options available. See website for more information.



Support bar can be installed from wall to return panel, or from back wall to front fixed panel, up to a maximum of 70" length. For installation manual, see [www.fleurco.com](http://www.fleurco.com)



LATITUDE Walk-in Shower Panel  
Fixed panel

10 year limited warranty



Silk screen design - high style, low maintenance  
Available in single panel, 2 sided & corner  
5/16" (8mm) clear tempered glass  
Shower panel height: 79" (80" to top of support bar bracket)  
Matte Black finish

# PETRA "V" Shower Panel

Fixed panel & return panel without FleurcoSEKUR+ Safety Protection (S.R.T.)



**3/8" (10 mm) Tempered clear glass • 79" Height (86 3/16" to top of support bar)**

## SINGLE THRESHOLD

DIMENSION		MODEL	FINISH	PRICE
		V56309/1-11-40①-79	Chrome	<b>\$1,340</b>
		V56309/1-25-40 _ -79	Brushed Nickel	<b>\$1,423</b>
		V56310-11-40①-79	Chrome	<b>\$1,402</b>
		V56310-25-40 _ -79	Brushed Nickel	<b>\$1,479</b>
		V56317-11-40①-79	Chrome	<b>\$1,372</b>
		V56317-25-40 _ -79	Brushed Nickel	<b>\$1,441</b>
		V56318-11-40①-79	Chrome	<b>\$1,472</b>
		V56318-25-40 _ -79	Brushed Nickel	<b>\$1,538</b>

## 2 SIDED

DIMENSION		MODEL	FINISH	PRICE
		V56312-11-40①③-79	Chrome	<b>\$2,197</b>
		V56312-25-40 _ _ -79	Brushed Nickel	<b>\$2,280</b>
Shown with optional towel bar				
		V6310-11-40①③-79	Chrome	<b>\$2,290</b>
		V6310-25-40 _ _ -79	Brushed Nickel	<b>\$2,369</b>
Shown with optional towel bar				

For suggested shower bases, visit [www.fleurco.com](http://www.fleurco.com)

SOME MODELS ARE CUSTOMIZEABLE WITH THE "X" SUPPORT BAR AND A U-CHANNEL.

CONTACT CUSTOMER SERVICE FOR DETAILS.

### DOOR OPTIONS

Insert Code "L" or "R"

**①**

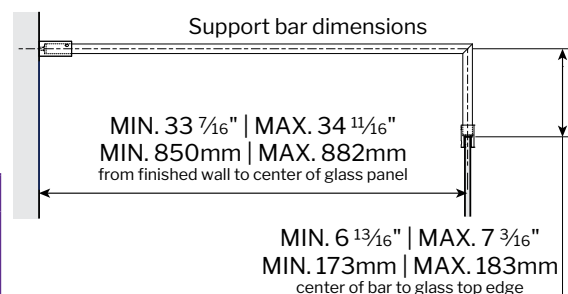
Insert Code "H" (flat) or "Y" (round) to select OPTIONAL towel bar

Towel bar installs onto a return panel

Available in two finishes:  
 Chrome - Surcharge \$406  
 Brushed Nickel - Surcharge \$369

**③**

Glass Panel  
79"  
39.5"  
Center



# PETRA "V" Shower Panel

Fixed panel & return panel

**10**  
year limited warranty

European style walk-in shower panel

3/8" (10mm) clear tempered glass

Shower panel height: 79" (86 3/16" to top of the support bar)

Chrome & Brushed Nickel finishes

Custom sizes available



# STATION PLUS

Fixed panel without FleurcoSEKUR+ Safety Protection (S.R.T.)



**3/8" (10 mm) Tempered clear glass • 79" Height (80 1/2" to top of support bar)**

## SHOWER PANEL 29

29 3/8" to 29 7/8" W x 79" H (80 1/2" to top of support bar)

MODEL	FINISH	PRICE
VLS29-11-40-79	Chrome	\$664
VLS29-25-40-79	Brushed Nickel	\$673
VLS29-33-40-79	Matte Black	\$682
VLS29-12-40-79 <b>NEW</b>	Brushed Gold	\$789

For suggested shower bases, visit [www.fleurco.com](http://www.fleurco.com)

## SHOWER PANEL 33

32 3/4" to 33 1/4" W x 79" H (80 1/2" to top of support bar)

MODEL	FINISH	PRICE
VLS33-11-40-79	Chrome	\$705
VLS33-25-40-79	Brushed Nickel	\$711
VLS33-33-40-79	Matte Black	\$719
VLS33-12-40-79 <b>NEW</b>	Brushed Gold	\$799

For suggested shower bases, visit [www.fleurco.com](http://www.fleurco.com)

## SHOWER PANEL 39

38 3/4" to 39 1/4" W x 79" H (80 1/2" to top of support bar)

MODEL	FINISH	PRICE
VLS39-11-40-79	Chrome	\$755
VLS39-25-40-79	Brushed Nickel	\$763
VLS39-33-40-79	Matte Black	\$771
VLS39-12-40-79 <b>NEW</b>	Brushed Gold	\$810

For suggested shower bases, visit [www.fleurco.com](http://www.fleurco.com)

## SHOWER PANEL 45

45 3/8" to 45 7/8" W x 79" H (80 1/2" to top of support bar)

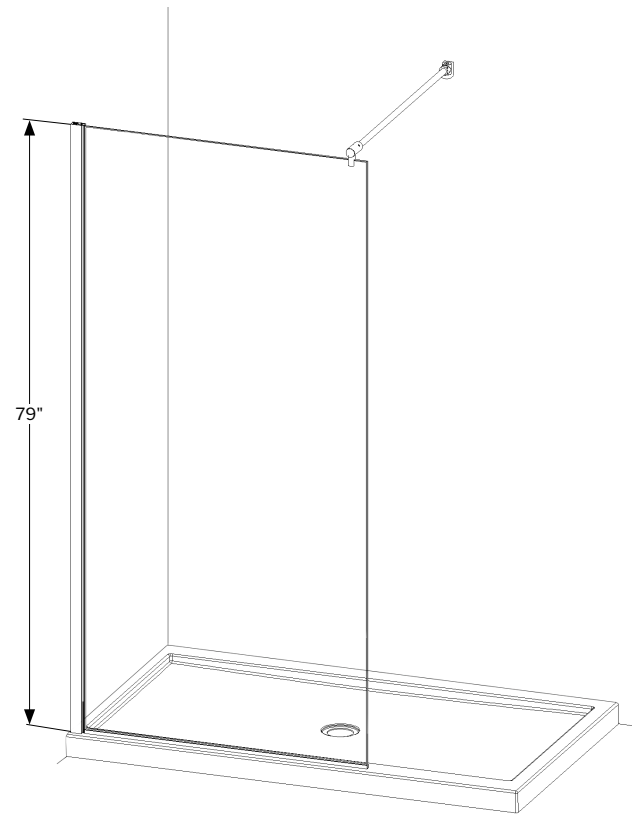
MODEL	FINISH	PRICE
VLS45-11-40-79	Chrome	\$803
VLS45-25-40-79	Brushed Nickel	\$813
VLS45-33-40-79	Matte Black	\$822
VLS45-12-40-79 <b>NEW</b>	Brushed Gold	\$837

For suggested shower bases, visit [www.fleurco.com](http://www.fleurco.com)

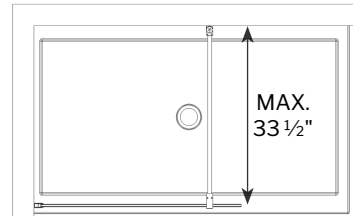
### ALL DRAINS SOLD SEPARATELY

DRAIN	Material	Price	Finish
	DRAINABS-11	\$50	Chrome
	DRAINABS-25	\$66	Brushed Nickel
	DRAINABS-33	\$94	Matte Black
	DRAINABS-12	\$177	Brushed Gold <b>NEW!</b>
	DRAINPVC-11	\$50	Chrome
	DRAINPVC-25	\$66	Brushed Nickel
	DRAINPVC-33	\$72	Matte Black
	DRAINPVC-12	\$177	Brushed Gold <b>NEW!</b>

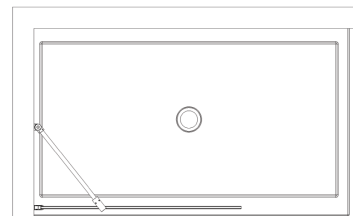
\*Please check local codes to ensure appropriate drain specifications  
For AU (Aurora) bases, please see specialty section in the bases booklet



Support bar installation from back wall to fixed panel



Support bar installation from side wall to fixed panel



**NEW!  
BRUSHED GOLD  
FINISH**

## STATION PLUS Walk-in Shower

Fixed panel

**10**  
year limited warranty

- Fixed shower panel
- Left or right configuration
- PV support bar (maximum 33 1/2" from back wall)
- Dual installation of support bar
- 3/8" (10mm) clear tempered glass
- Shower panel height: 79" (80 1/2" to top of support bar)
- Chrome, Brushed Nickel, Matte Black & Brushed Gold finishes



For information see Fibo by Fleurco section

# STATION Shower Panel

Fixed panel without FleurcoSEKUR+ Safety Protection (S.R.T.)

3/8" (10 mm) Tempered clear glass • 79" Height

## SHOWER PANEL 30

29 3/4" to 30 3/8" W x 79" H

MODEL	FINISH	PRICE
VSXS30-11-40-79	Chrome	\$621
VSXS30-25-40-79	Brushed Nickel	\$638
VSXS30-33-40-79	Matte Black	\$652
VSXS30-12-40-79 <b>NEW</b>	Brushed Gold	\$745

For suggested shower bases, visit [www.fleurco.com](http://www.fleurco.com)

## SHOWER PANEL 34

33 3/4" to 34 3/8" W x 79" H

MODEL	FINISH	PRICE
VSXS34-11-40-79	Chrome	\$683
VSXS34-25-40-79	Brushed Nickel	\$697
VSXS34-33-40-79	Matte Black	\$712
VSXS34-12-40-79 <b>NEW</b>	Brushed Gold	\$819

For suggested shower bases, visit [www.fleurco.com](http://www.fleurco.com)



**NEW!**  
BRUSHED GOLD  
FINISH

VSXS34-12-40-79



# STATION Walk-in Shower Panel

Fixed panel

**10**  
year limited  
warranty

### ALL DRAINS SOLD SEPARATELY

DRAIN	Model	Material	Price	Finish	Notes
No-Calk™ Shower Base Drain*	DRAINABS-11	ABS No-Calk 2" drain	\$50	Chrome	
	DRAINABS-25	ABS No-Calk 2" drain	\$66	Brushed Nickel	
	DRAINABS-33	ABS No-Calk 2" drain	\$94	Matte Black	
	DRAINABS-12	ABS No-Calk 2" drain	\$177	Brushed Gold	<b>NEW!</b>
	DRAINPVC-11	PVC No-Calk 2" drain	\$50	Chrome	
	DRAINPVC-25	PVC No-Calk 2" drain	\$66	Brushed Nickel	
	DRAINPVC-33	PVC No-Calk 2" drain	\$72	Matte Black	
	DRAINPVC-12	PVC No-Calk 2" drain	\$177	Brushed Gold	<b>NEW!</b>

\*Please check local codes to ensure appropriate drain specifications  
For AU (Aurora) bases, please see specialty section in the bases booklet



For information see Fibo by Fleurco section

Fixed shower panel  
3/8" (10mm) clear tempered glass  
Shower panel height: 79"  
Chrome, Brushed Nickel, Matte Black & Brushed Gold finishes



# SIENA Solo Shower Panel

Pivot shower panel without FleurcoSEKUR+ Safety Protection (S.R.T.)

1/4" (6 mm) Tempered clear glass • 75" Height

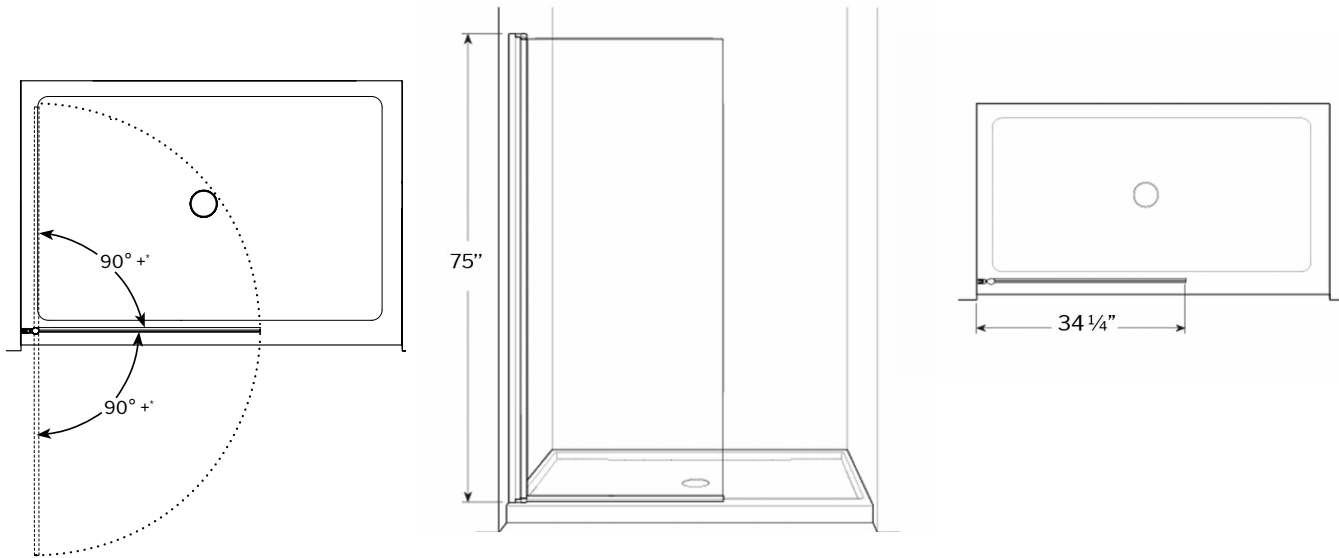
## PIVOT SHOWER PANEL 34

Panel 34 1/4" W x 75" H

MODEL	FINISH	PRICE
EST34-11-40	Chrome	\$976
EST34-25-40	Brushed Nickel	\$1,007
EST34-33-40	Matte Black	\$1,039

Fits any base 48" and larger.

For suggested shower bases, visit [www.fleurco.com](http://www.fleurco.com)



\*Panel can go past 90° but may come in contact with wall

### ALL DRAINS SOLD SEPARATELY

DRAIN	Model	Material	Price	Finish	Notes
No-Calk™ Shower Base Drain	DRAINABS-11	ABS No-Calk 2" drain	\$50	Chrome	
	DRAINABS-25	ABS No-Calk 2" drain	\$66	Brushed Nickel	
	DRAINABS-33	ABS No-Calk 2" drain	\$94	Matte Black	
	DRAINABS-12	ABS No-Calk 2" drain	\$177	Brushed Gold	NEW!
	DRAINPVC-11	PVC No-Calk 2" drain	\$50	Chrome	
	DRAINPVC-25	PVC No-Calk 2" drain	\$66	Brushed Nickel	
	DRAINPVC-33	PVC No-Calk 2" drain	\$72	Matte Black	
	DRAINPVC-12	PVC No-Calk 2" drain	\$177	Brushed Gold	NEW!

\*Please check local codes to ensure appropriate drain specifications  
For AU (Aurora) bases, please see specialty section in the bases booklet



## SIENA Solo, Walk-in Shower Panel

Pivot shower panel

10  
year limited  
warranty

- Pivot glass shower panel
- 90° outward and 90° inward opening
- Reversible left or right side installation
- 1/4" (6mm) clear tempered glass
- Shower panel height: 75"
- Chrome, Brushed Nickel & Matte Black finishes



### WHAT IS FLEURCOSEKUR<sup>+</sup> SAFETY PROTECTION (S.R.T.)?

FLEURCOSEKUR<sup>+</sup> SAFETY PROTECTION (S.R.T.) is a transparent film bonded directly onto the glass panel by means of an adhesive to improve safety by retaining the pieces together in the event of glass breakage.

### WHAT ARE THE BENEFITS OF FLEURCOSEKUR<sup>+</sup> SAFETY PROTECTION (S.R.T.)?

FLEURCOSEKUR<sup>+</sup> SAFETY PROTECTION (S.R.T.) film provides an added layer of security for you and your family. In the event of an accident, FLEURCOSEKUR<sup>+</sup> SAFETY PROTECTION (S.R.T.) prevents the tempered glass door from shattering into thousands of pieces which could cause damage.

### HOW IS FLEURCOSEKUR<sup>+</sup> SAFETY PROTECTION (S.R.T.) APPLIED?

Application is performed by a specialized machine.

The film is always installed on the exterior side of the panels as to not affect the Microtek® coating on the interior.

### HOW DURABLE IS FLEURCOSEKUR<sup>+</sup> SAFETY PROTECTION (S.R.T.)?

FLEURCOSEKUR<sup>+</sup> SAFETY PROTECTION (S.R.T.) is very durable. It has been tested for long-term usage against chemicals and normal wear and meets the required standards.

### HOW DO I CLEAN GLASS TREATED WITH FLEURCOSEKUR<sup>+</sup> SAFETY PROTECTION (S.R.T.)?

No abrasive materials should be used in cleaning a FLEURCOSEKUR<sup>+</sup> SAFETY PROTECTION (S.R.T.) treated shower door. Cleaning with a damp cloth using a mixture of vinegar/mild soap with water is recommended.

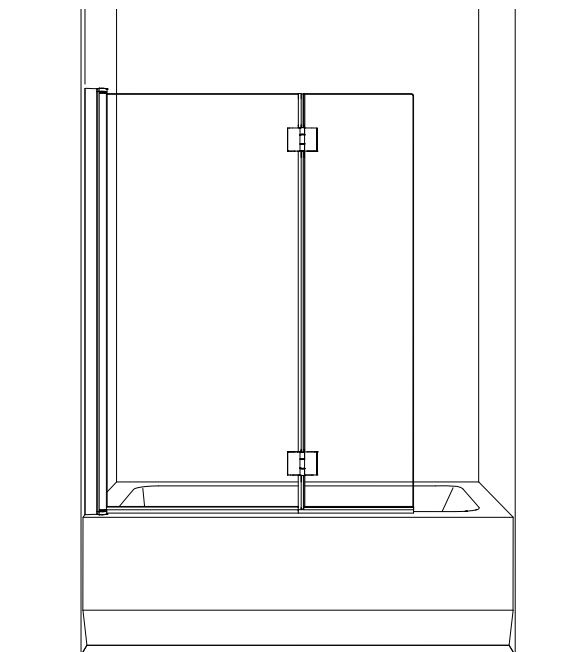


**5**  
year limited  
warranty

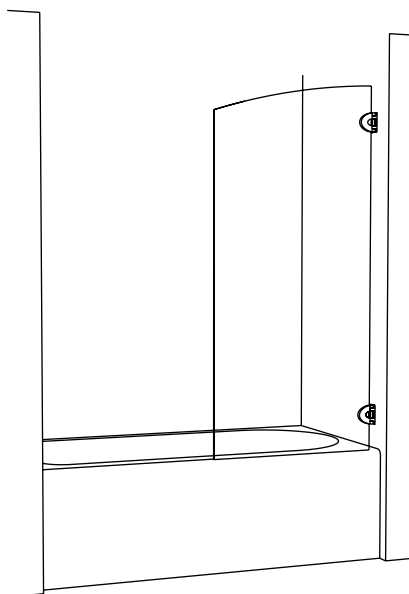


Shattered glass maintains structure with FLEURCOSEKUR<sup>+</sup> SAFETY PROTECTION (S.R.T.) film

# WALK-IN TUB SHIELDS



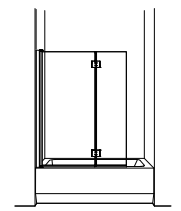
# WALK-IN TUB PANELS



FLEURCO INC. **USA EAST** Tel: 856.778.0110 | Toll Free: 1.888.568.2121 | Fax: 1.888.854.1020  
FLEURCO INC. **USA MIDWEST** Tel: 630.607.0847 | Toll Free: 1.888.263.3651 | Fax: 331.225.2549  
FLEURCO INC. **USA WEST** Tel: 562.368.8800 | Toll Free: 1.877.413.2880 | Fax: 562.368.8812



# WALK-IN TUB SHIELDS



**\*MONACO SQUARE TOP** ..... 4-5  
 Pivot tub shield with fixed panel  
 Sizes: 24" fixed panel with 15" moveable panel  
 SELECT 24" fixed panel with 15" moveable panel

M ●●● C



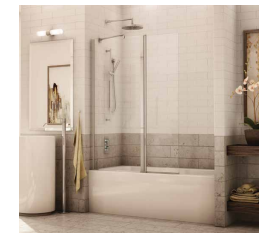
**\*MONACO ROUND TOP** ..... 6-7  
 Pivot tub shield with fixed panel  
 Sizes: 24" fixed panel with 15" moveable panel  
 SELECT 24" fixed panel with 15" moveable panel

M ●●● C



**\*SIENA DUO** ..... 8-9  
 Bi-fold pivot tub shield  
 Sizes: 27" fixed panel with 15" moveable panel

M ●●● C

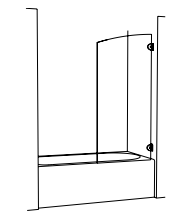


**\*SIENA** ..... 10-11  
 Pivot tub shield with fixed panel  
 Sizes: 25" fixed panel with 15" moveable panel

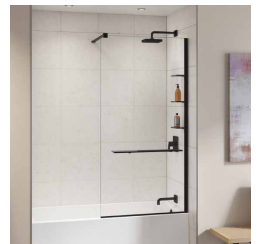
M ●●● C

<p>M Glass surface protection</p>  <p>See website for more information</p>	<p>Available finishes</p> <ul style="list-style-type: none"> <li>● Chrome</li> <li>● Brushed Nickel</li> <li>● Matte Black</li> </ul>	<p>Glass type</p> <p>C Clear</p>
---	---	----------------------------------

\*Without FleurcoSEKUR+ Safety Protection (S.R.T.)



# WALK-IN TUB PANELS



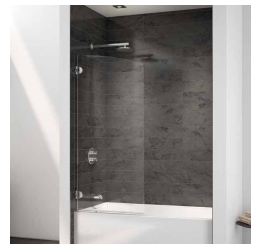
**VECTRA** ..... 12-13  
 Fixed tub panel  
 Size: 33

M SEKUR+ ● C



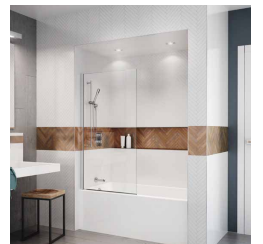
**LATITUDE** ..... 14-15  
 Fixed tub panel  
 Sizes: 28, 32

M SEKUR+ ● C



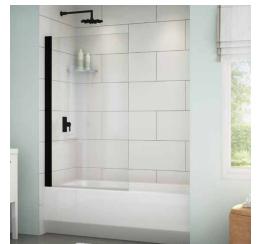
**\*SOLO** ..... 16-17  
 Pivot tub panel  
 Size: 29  
 SELECT 29

M ●●● C



**\*STATION** ..... 18-19  
 Fixed tub panel  
 Sizes: 30, 34

M ●●● C



**\*SIENA SOLO** ..... 20-21  
 Pivot tub panel  
 Size: 34

M ●●● C

<p>M Glass surface protection</p>  <p>See website for more information</p>	<p>SEKUR+ Safety protection (S.R.T.)</p>  <p>See information page at the end of the section</p>	<p>Available finishes</p> <ul style="list-style-type: none"> <li>● Chrome</li> <li>● Brushed Nickel</li> <li>● Matte Black</li> </ul>	<p>Glass type</p> <p>C Clear</p>
---	--	---	----------------------------------

\*Without FleurcoSEKUR+ Safety Protection (S.R.T.)

# MONACO Square Top Tub Shield

Pivot tub shield with fixed panel without FleurcoSEKUR+ Safety Protection (S.R.T.)



**3/8" (10 mm) Tempered clear glass**  
**58" Height (59 1/2" to top of "X" support bar)**

**SELECT MONACO SQUARE SUPPORT BAR SYSTEM WITH RECTANGULAR (M) HINGES**  
 58" H (59 1/2" to top of support bar)

MODEL	FINISH	PRICE
VMSXT24-11-40	Chrome	\$1,225
VMSXT24-25-40	Brushed Nickel	\$1,260
VMSXT24-33-40	Matte Black	\$1,277

This unit is universal, left and right.

## MONACO SQUARE "X" SUPPORT BAR SYSTEM

58" H (59 1/2" to top of support bar)

MODEL	FINISH	PRICE
VWXSH24-11-40①-②	Chrome	\$2,239
VWXSH24-25-40 _ - _	Brushed Nickel	\$2,488

## MONACO SQUARE "G" GLASS SHELF SUPPORT\*

58" H

MODEL	FINISH	PRICE
VWGSH24-11-40①-②	Chrome	\$2,239
VWGSH24-25-40 _ - _	Brushed Nickel	\$2,488

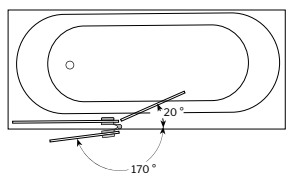
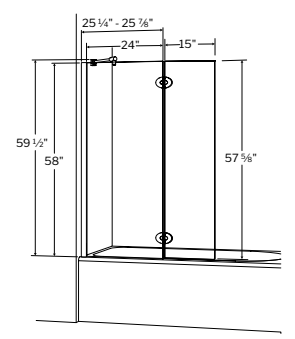
\*Glass Shelves are available in 3/8" (10 mm) Clear Glass only

**SELECT**

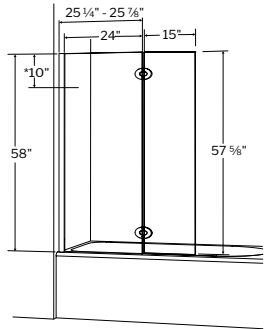


NO OPTIONS

### VWXSH24 Support Bar System



### VWGSH24 Glass Shelf Support



\* Position of shelf from top of glass panel

See page 18 for return panel option.

**DOOR OPTIONS**

①

Insert Code "L" or "R"

L R

②

Insert Code "M" or "Q"

M Q

Fibo

Wall Systems

by FLEURCO

For information see Fibo by Fleurco section



# MONACO Square Top

Walk-in pivot tub shield with fixed panel

**10**  
year limited warranty

- Square top shield with fixed panel
- 170° outward and 20° inward opening
- Reversible left or right side installation
- 2 glass-to-glass hinge choices (excluding **SELECT**)
- 3/8" (10mm) clear tempered glass
- Tub shield height: 58" (59 1/2" to top of support bar)
- Chrome, Brushed Nickel & Matte Black (**SELECT** model only) finishes



# MONACO Round Top Tub Shield

Pivot tub shield with fixed panel without FleurcoSEKUR+ Safety Protection (S.R.T.)



**3/8" (10 mm) or 1/4" (6 mm) Tempered clear glass**  
**58" Height (59 1/2" to top of "X" support bar)**

**SELECT MONACO ROUND SUPPORT BAR SYSTEM WITH OVAL (Q) HINGES**

58" H (59 1/2" to top of support bar)

MODEL	FINISH	PRICE
3/8" (10 mm) clear tempered glass		
VQRXT24-11-40	Chrome	\$1,225
VQRXT24-25-40	Brushed Nickel	\$1,260
VQRXT24-33-40	Matte Black	\$1,277
1/4" (6 mm) clear tempered glass		
VQRST24-11-40	Chrome	\$946
VQRST24-25-40	Brushed Nickel	\$962
VQRST24-33-40	Matte Black	\$979

These units are universal, left and right.

**MONACO ROUND "X" SUPPORT BAR SYSTEM**

58" H (59 1/2" to top of support bar)

MODEL	FINISH	PRICE
3/8" (10 mm) clear tempered glass		
VXSH24-11-40 ①-②	Chrome	\$2,239
VXSH24-25-40 _ - _	Brushed Nickel	\$2,488

**MONACO ROUND "X" SUPPORT BAR SYSTEM**

58" H (59 1/2" to top of support bar)

MODEL	FINISH	PRICE
1/4" (6 mm) clear tempered glass		
VSH24-11-40 ①-②	Chrome	\$1,609
VSH24-25-40 _ - _	Brushed Nickel	\$1,861

Above models are only available with the support bar

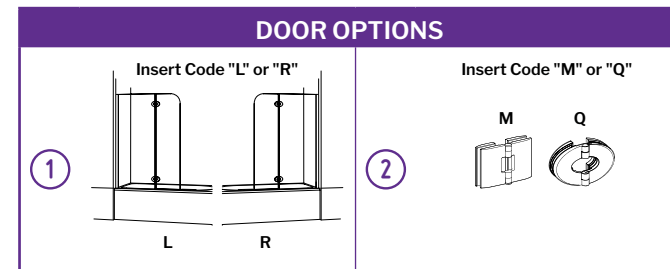
**MONACO ROUND "G" GLASS SHELF SUPPORT\***

58" H

MODEL	FINISH	PRICE
3/8" (10 mm) clear tempered glass		
VGSH24-11-40 ①-②	Chrome	\$2,239
VGSH24-25-40 _ - _	Brushed Nickel	\$2,488

\*Glass Shelves are available in 3/8" (10 mm) Clear Glass only.

See page 18 for return panel option.



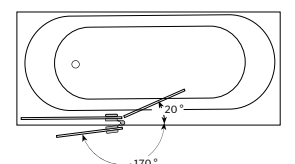
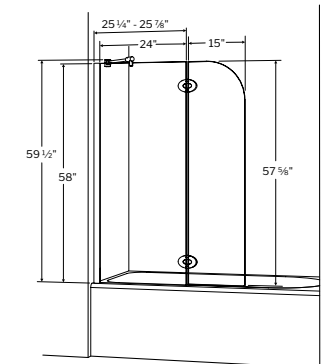
**SELECT**



NO OPTIONS

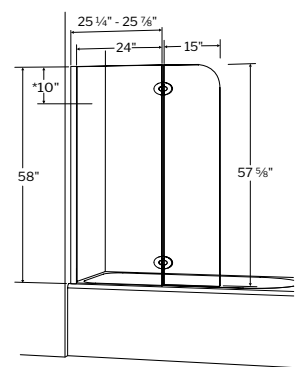
**VXSH24**

Support Bar System



**VGSH24**

Glass Shelf Support



\* Position of shelf from top of glass panel



## MONACO Round Top

Walk-in pivot tub shield with fixed panel

**10**  
year limited warranty

- Round top shield with fixed panel
- 170° outward and 20° inward opening
- Reversible left or right side installation
- 2 glass-to-glass hinge choices (excluding SELECT)
- 3/8" (10mm) clear tempered glass
- 1/4" (6mm) clear tempered glass
- Tub shield height: 58" (59 1/2" to top of support bar)
- Chrome, Brushed Nickel & Matte Black (SELECT model only) finishes



# SIENA Duo Tub Shield

Bi-fold pivot tub shield without FleurcoSEKUR+ Safety Protection (S.R.T.)

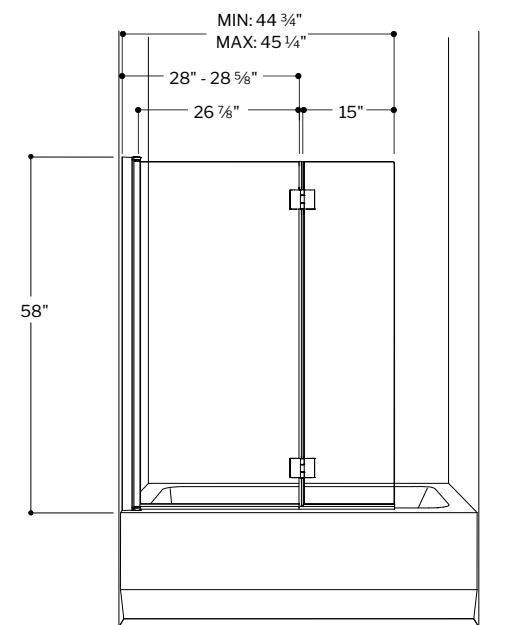
1/4" (6 mm) Tempered clear glass • 58" Height



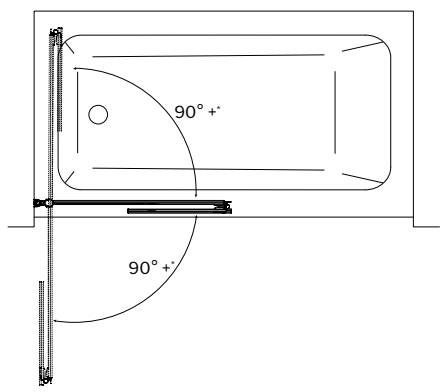
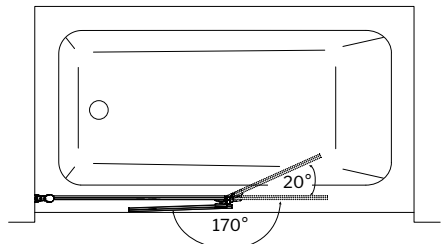
### TUB SHIELD

Moving Panel 26 7/8" W • Small Shield 15" W x 58" H

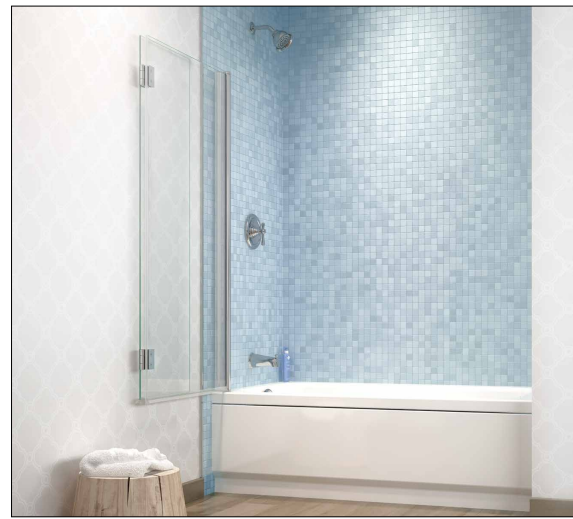
MODEL	FINISH	PRICE
ESHB26-11-40	Chrome	\$1,182
ESHB26-25-40	Brushed Nickel	\$1,215
ESHB26-33-40	Matte Black	\$1,252



Fully opened unit



\*Panel can go past 90° but may come in contact with wall



## SIENA Duo, Walk-in Tub Shield

Bi-fold pivot tub shield

10

year limited warranty

- Bi-fold glass panels allowing full access to faucet and tub
- European water deflection system
- 90° outward and 90° inward opening for large panel
- 170° outward and 20° inward opening for small shield
- Reversible left or right side installation
- 1/4" (6mm) clear tempered glass
- Tub shield height: 58"
- Chrome, Brushed Nickel & Matte Black finishes



For information see Fibo by Fleurco section

# SIENA Tub Shield

Pivot tub shield with fixed panel without FleurcoSEKUR+ Safety Protection (S.R.T.)

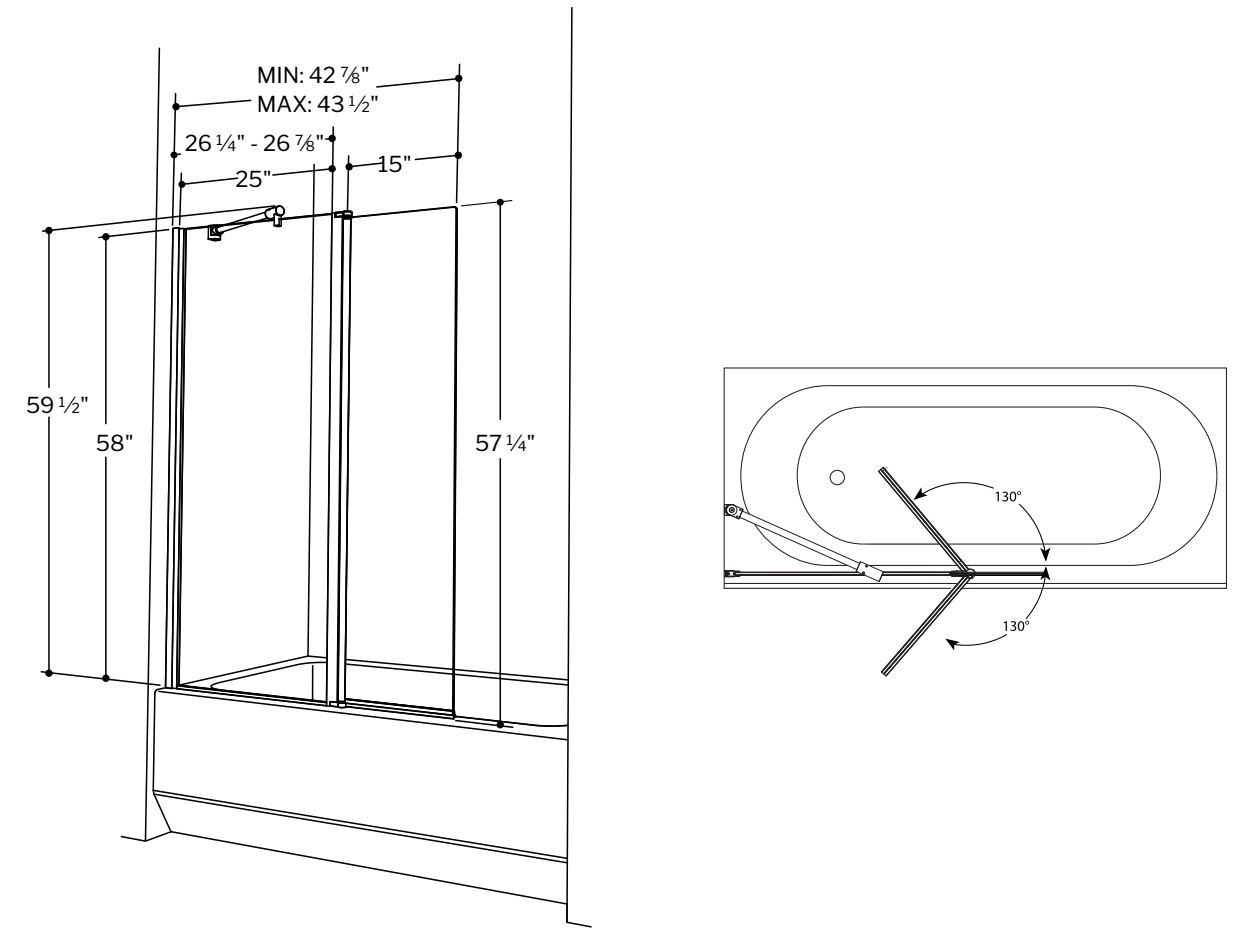


1/4" (6 mm) Tempered clear glass • 58" Height (59 1/2" to top of support bar)

## TUB SHIELD

Large Panel 25" W, Moving Shield 15" W x 58" H (59 1/2" to top of support bar)

MODEL	FINISH	PRICE
ESH24-11-40	Chrome	\$976
ESH24-25-40	Brushed Nickel	\$1,007
ESH24-33-40	Matte Black	\$1,039



## SIENA Walk-in Tub Shield

Pivot tub shield with fixed panel

10 year limited warranty

- European water deflection system
- 130° outward and 130° inward opening
- Reversible left or right side installation
- 1/4" (6mm) clear tempered glass
- Tub shield height: 58" (59 1/2" to top of support bar)
- Chrome, Brushed Nickel & Matte Black finishes



# VECTRA Tub Panel

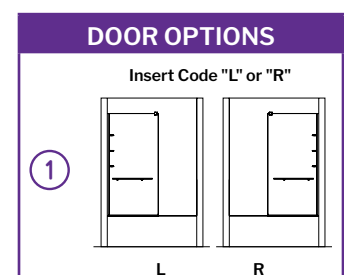
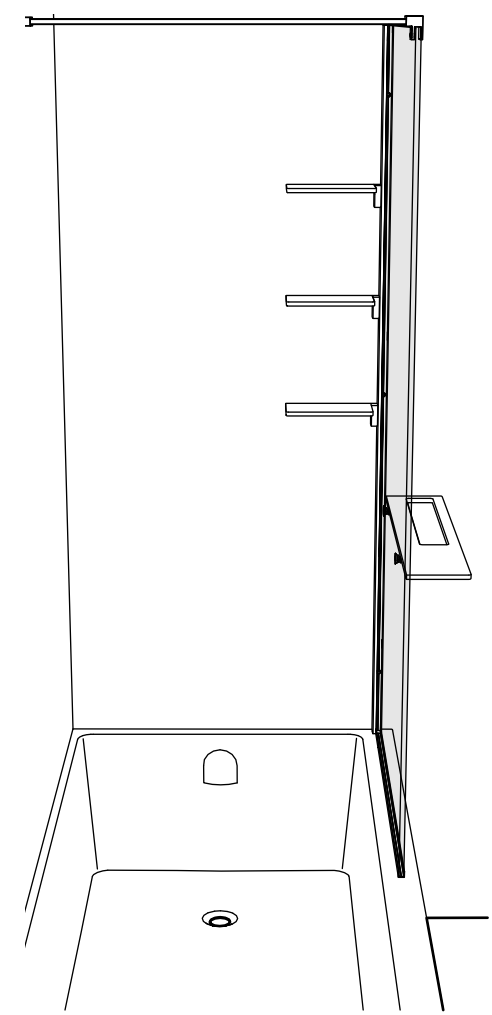
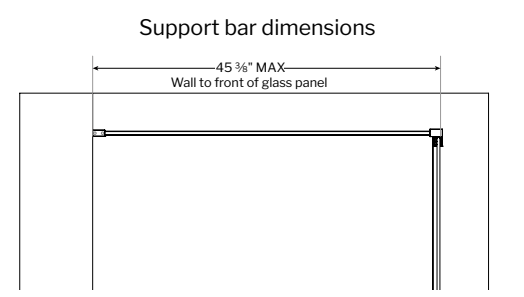
Fixed panel

3/8" (10 mm) Tempered clear glass  
66" Height (67" to top of support bar)

## TUB PANEL 33

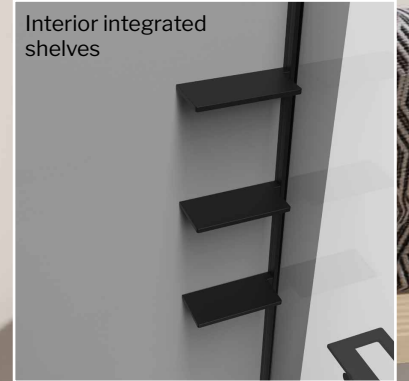
33" W x 66" H (67" to top of support bar)

MODEL	FINISH	PRICE
VTRT33-33-40①	Matte Black	\$1,670



## VECTRA Walk-in Tub Panel

Fixed tub panel with accessories



10 year limited warranty



- 3 metal shelves integrated to the wall jamb
- Towel bar and tray integrated in a single accessory
- 3/8" (10mm) clear tempered glass
- Tub panel height: 66" (67" to top of support bar)
- Matte Black finish



# LATITUDE Tub Panel

Fixed tub panel

5/16" (8 mm) Tempered clear glass  
66" Height (66 3/4" to top of support bar)

## TUB PANEL 28

28 1/2" W x 66" H (66 3/4" to top of support bar)

MODEL	FINISH	PRICE
LAVT28-33-43	Matte Black	\$650

## TUB PANEL 32

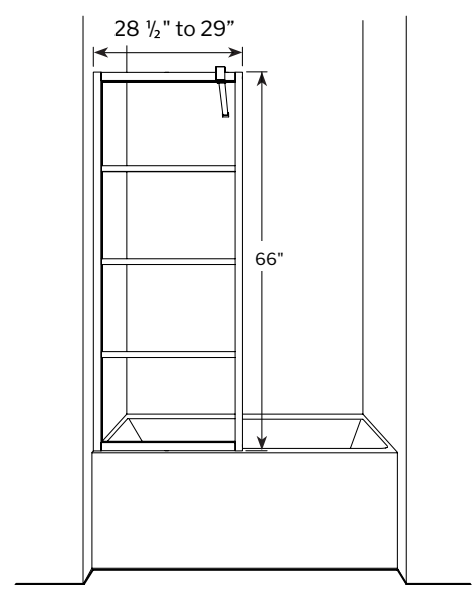
32 1/2" W x 66" H (66 3/4" to top of support bar)

MODEL	FINISH	PRICE
LAVT32-33-43	Matte Black	\$687

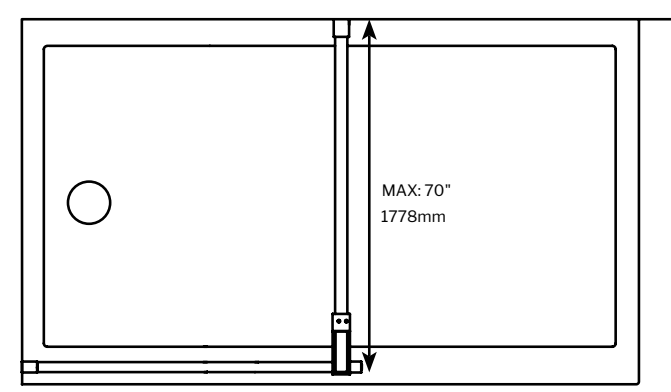
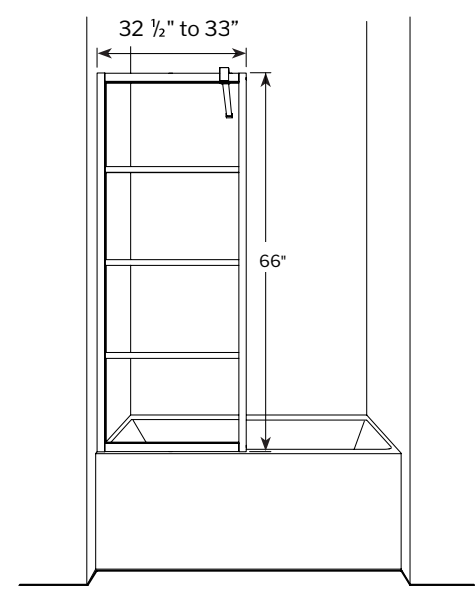


These units are reversible.

### LAVT28



### LAVT32



LAVT32-33-43

LATITUDE Walk-in Tub Panel  
Fixed tub panel

10  
year limited  
warranty



Silk screen design - high style, low maintenance  
5/16" (8mm) clear tempered glass  
Tub panel height: 66" (66 3/4" to top of support bar)  
Matte Black finish



# SOLO Tub Panel

Pivot tub panel without FleurcoSEKUR+ Safety Protection (S.R.T.)



**3/8" (10 mm) Tempered clear glass • 63" Height**  
**1/4" (6 mm) Tempered clear glass • 63" Height**

**SELECT SOLO ROUND TOP WITH OVAL (Q) HINGES**

29" W x 63" H

MODEL	FINISH	PRICE
3/8" (10 mm) clear tempered glass		
VQRXTO29-11-40	Chrome	<b>\$617</b>
VQRXTO29-25-40	Brushed Nickel	<b>\$638</b>
VQRXTO29-33-40	Matte Black	<b>\$648</b>

This unit is universal, left and right.

**SELECT SOLO SQUARE TOP WITH RECTANGULAR (M) HINGES**

29" W x 63" H

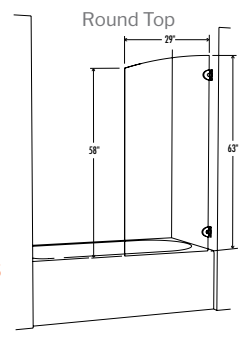
MODEL	FINISH	PRICE
3/8" (10 mm) clear tempered glass		
VMSXTO29-11-40	Chrome	<b>\$617</b>
VMSXTO29-25-40	Brushed Nickel	<b>\$638</b>
VMSXTO29-33-40	Matte Black	<b>\$648</b>

This unit is universal, left and right.

**SELECT**



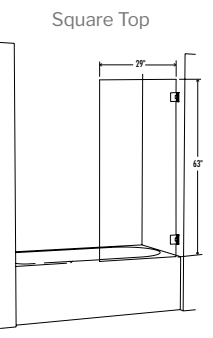
NO OPTIONS



**SELECT**



NO OPTIONS



**SOLO ROUND TOP**

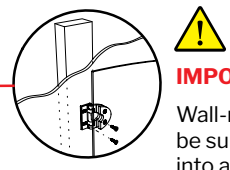
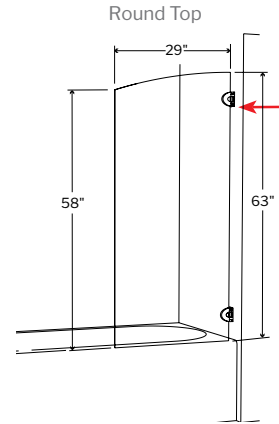
29" W x 63" H

MODEL	FINISH	PRICE
3/8" (10 mm) clear tempered glass		
VXTO29-11-40①-②	Chrome	<b>\$1,518</b>
VXTO29-25-40 _ - _	Brushed Nickel	<b>\$1,631</b>

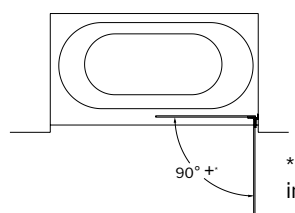
**SOLO ROUND TOP**

29" W x 63" H

MODEL	FINISH	PRICE
1/4" (6 mm) clear tempered glass		
VT029-11-40①-②	Chrome	<b>\$1,238</b>
VT029-25-40 _ - _	Brushed Nickel	<b>\$1,355</b>



**IMPORTANT**  
 Wall-mounted hinges must be supported and fastened into a stud framing.



\*Panel can go past 90° but may come in contact with wall

**DOOR OPTIONS**

Insert Code "L" or "R"

Insert Code "M" or "Q"

**Fibo Wall Systems**  
 by FLEURCO  
 For information see Fibo by Fleurco section



**SOLO** Walk-in Tub Panel  
 Pivot tub panel

**10**  
 year limited warranty

- 90° outward opening
- Reversible left or right side installation
- 2 wall-mount hinge choices (excluding SELECT)
- 3/8" (10mm) clear tempered glass
- 1/4" (6mm) clear tempered glass (excluding SELECT)
- Tub panel height: 63"
- Chrome, Brushed Nickel & Matte Black (SELECT model only) finishes





# STATION Fixed Tub Panel

Fixed tub panel without FleurcoSEKUR+ Safety Protection (S.R.T.)

3/8" (10 mm) Tempered clear glass • 58" Height

## TUB PANEL 30

29 3/4" to 30 3/8" x 58" H

MODEL	FINISH	PRICE
VSXT30-11-40	Chrome	\$460
VSXT30-25-40	Brushed Nickel	\$476
VSXT30-33-40	Matte Black	\$481

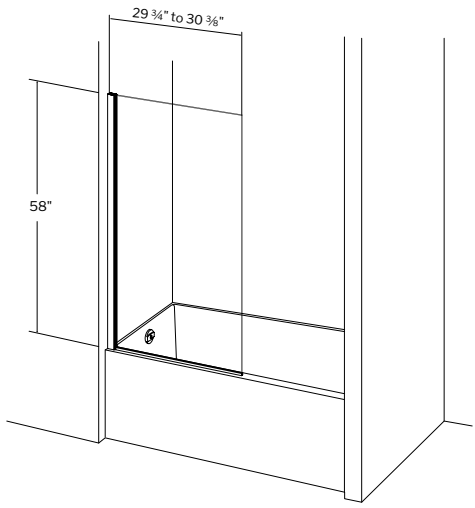
This unit is universal, left and right.  
Can also be used as a return panel.

## TUB PANEL 34

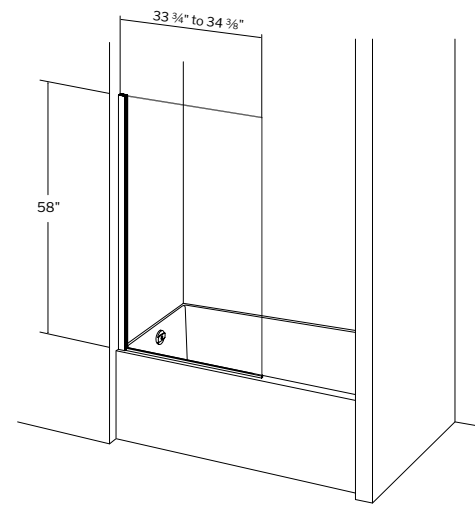
33 3/4" to 34 3/8" x 58" H

MODEL	FINISH	PRICE
VSXT34-11-40	Chrome	\$504
VSXT34-25-40	Brushed Nickel	\$528
VSXT34-33-40	Matte Black	\$536

This unit is universal, left and right.  
Can also be used as a return panel.

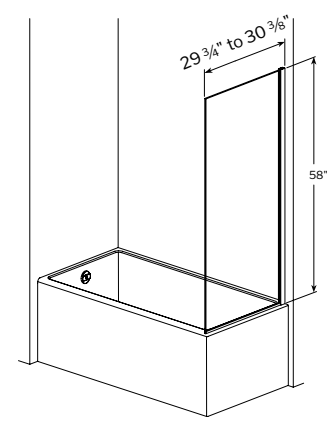


VSXT30

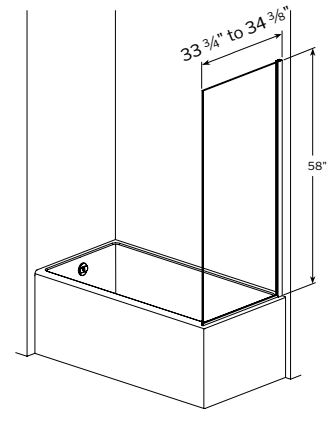


VSXT34

Can also be used as a return panel.



VSXT30



VSXT34



# STATION Walk-in Tub Panel

Fixed tub panel

10 year limited warranty

- Fixed tub panel
- Reversible left or right side installation
- 3/8" (10mm) clear tempered glass
- Tub panel height: 58"
- Chrome, Brushed Nickel & Matte Black finishes



# SIENA Solo Tub Panel

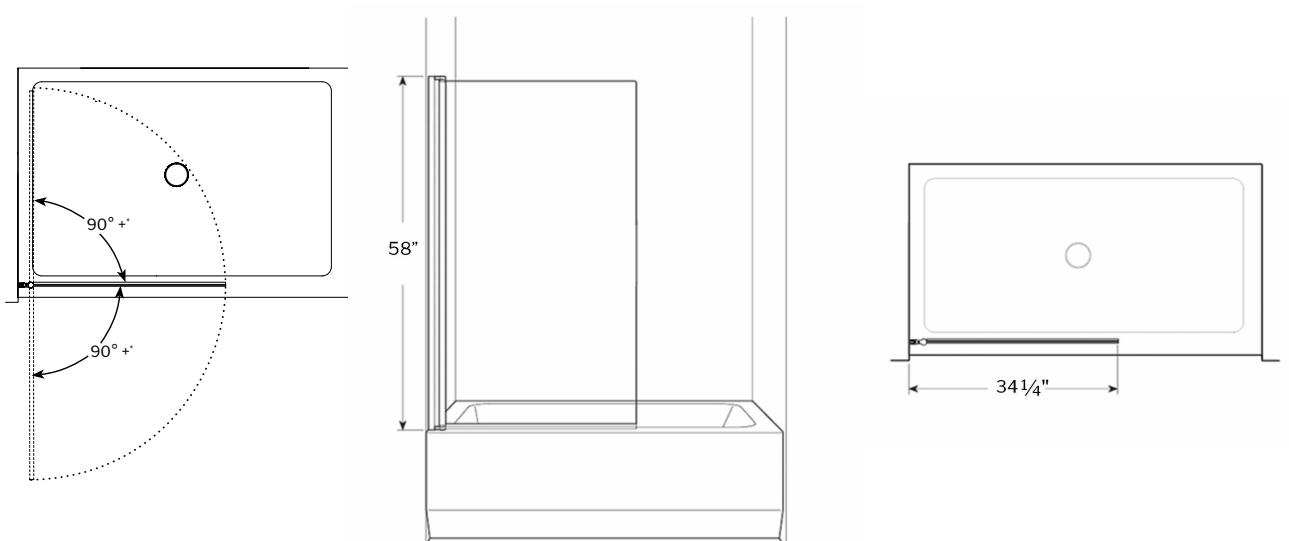
Pivot tub panel without FleurcoSEKUR+ Safety Protection (S.R.T.)

1/4" (6 mm) Tempered clear glass • 58" Height

### PIVOT TUB PANEL 34

Panel 34 1/4" W x 58" H

MODEL	FINISH	PRICE
ESB34-11-40	Chrome	\$884
ESB34-25-40	Brushed Nickel	\$913
ESB34-33-40	Matte Black	\$939



\*Panel can go past 90° but may come in contact with wall



ESB34-33-40

**SIENA** Solo, Walk-in Tub Panel  
Pivot tub panel

10 year limited warranty



For information see Fibo by Fleurco section

- Pivot glass panel
- 90° outward and 90° inward opening
- Reversible left or right side installation
- 1/4" (6mm) clear tempered glass
- Tub panel height: 58"
- Chrome, Brushed Nickel & Matte Black finishes





## SAFETY PROTECTION (S.R.T.)

### WHAT IS FLEURCOSEKUR+ SAFETY PROTECTION (S.R.T.)?

FLEURCOSEKUR+ SAFETY PROTECTION (S.R.T.) is a transparent film bonded directly onto the glass panel by means of an adhesive to improve safety by retaining the pieces together in the event of glass breakage.

### WHAT ARE THE BENEFITS OF FLEURCOSEKUR+ SAFETY PROTECTION (S.R.T.)?

FLEURCOSEKUR+ SAFETY PROTECTION (S.R.T.) film provides an added layer of security for you and your family. In the event of an accident, FLEURCOSEKUR+ SAFETY PROTECTION (S.R.T.) prevents the tempered glass door from shattering into thousands of pieces which could cause damage.

### HOW IS FLEURCOSEKUR+ SAFETY PROTECTION (S.R.T.) APPLIED?

Application is performed by a specialized machine.

The film is always installed on the exterior side of the panels as to not affect the Microtek® coating on the interior.

### HOW DURABLE IS FLEURCOSEKUR+ SAFETY PROTECTION (S.R.T.)?

FLEURCOSEKUR+ SAFETY PROTECTION (S.R.T.) is very durable. It has been tested for long-term usage against chemicals and normal wear and meets the required standards.

### HOW DO I CLEAN GLASS TREATED WITH FLEURCOSEKUR+ SAFETY PROTECTION (S.R.T.)?

No abrasive materials should be used in cleaning a FLEURCOSEKUR+ SAFETY PROTECTION (S.R.T.) treated shower door. Cleaning with a damp cloth using a mixture of vinegar/mild soap with water is recommended.



**5**  
year limited  
warranty



Shattered glass maintains structure with FLEURCOSEKUR+ SAFETY PROTECTION (S.R.T.) film